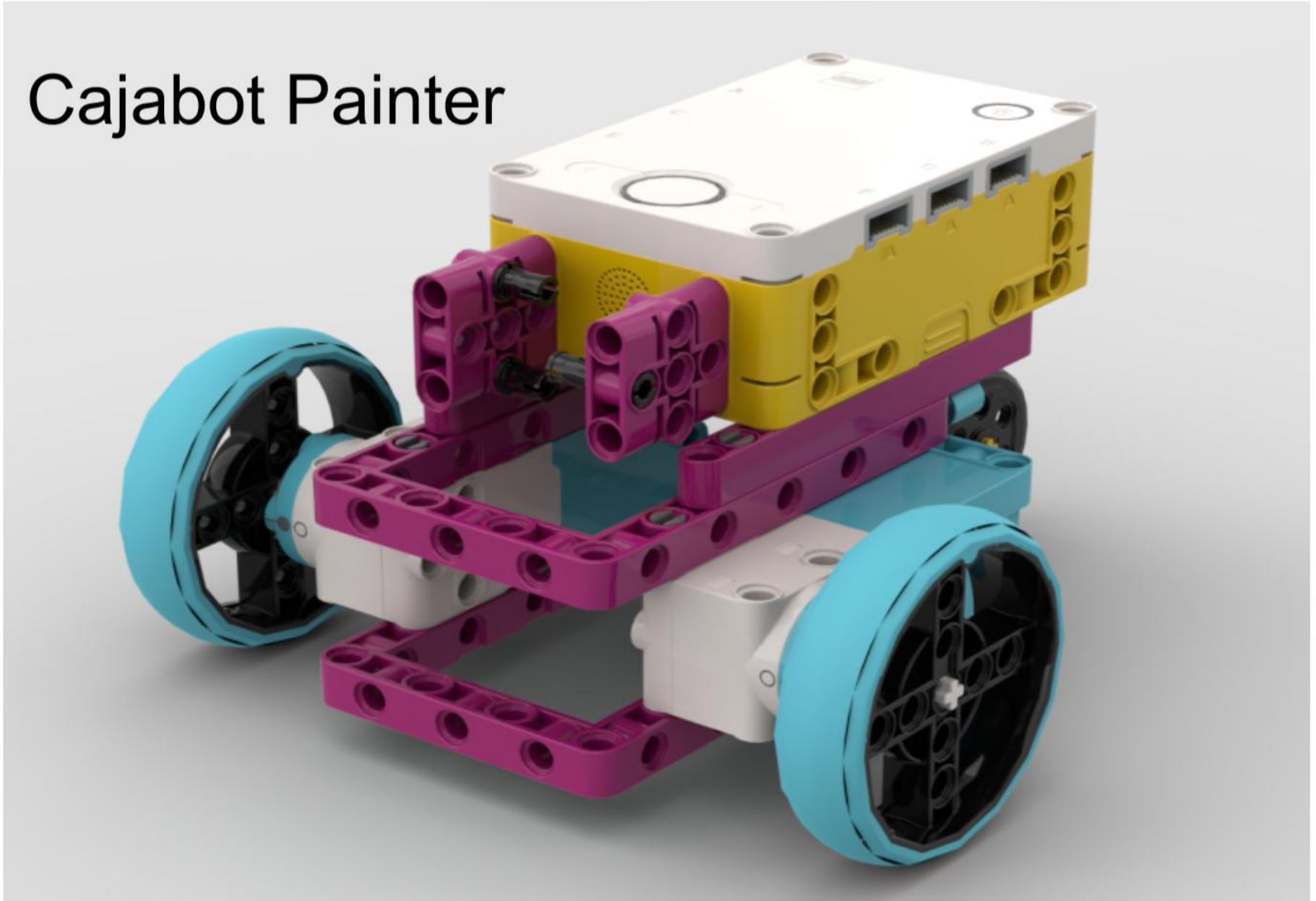


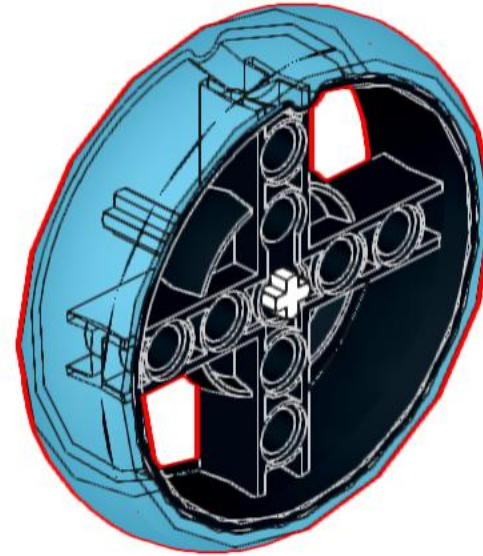
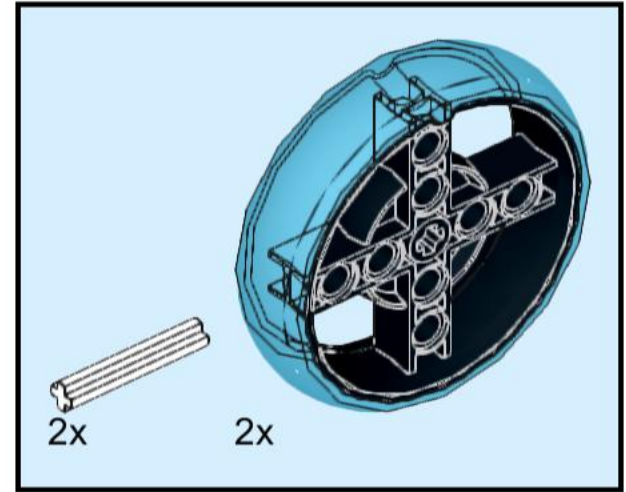
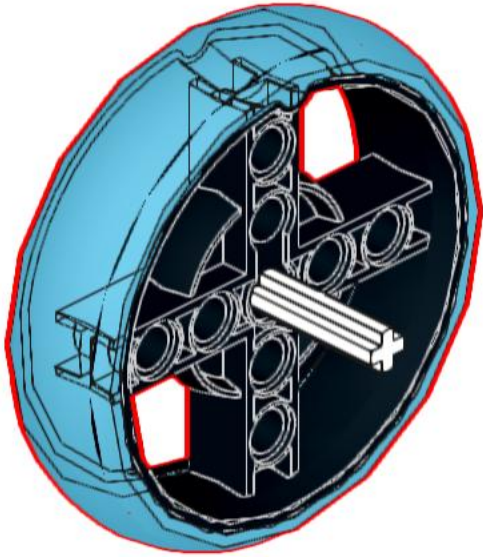
1

# Cajabot Painter

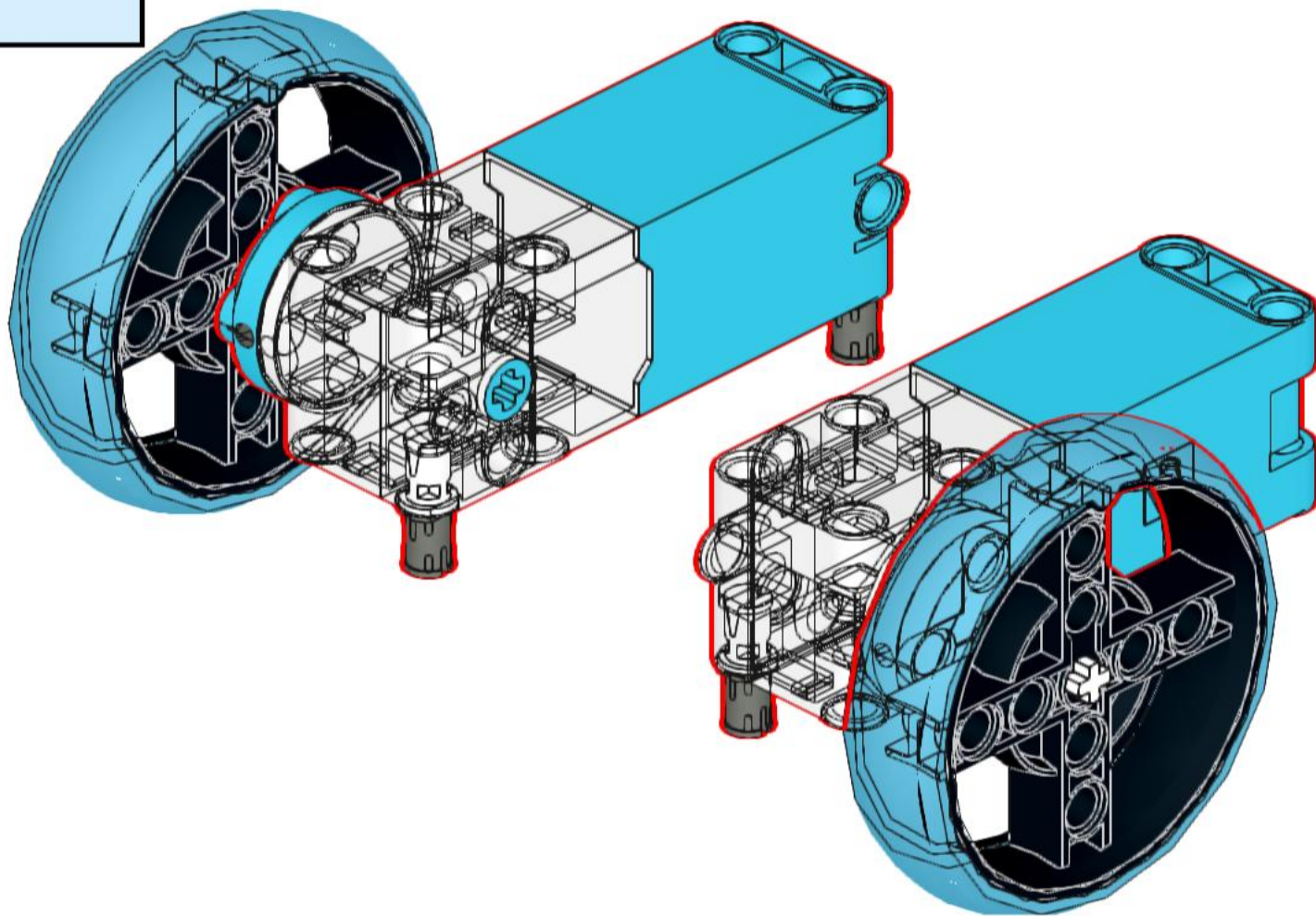
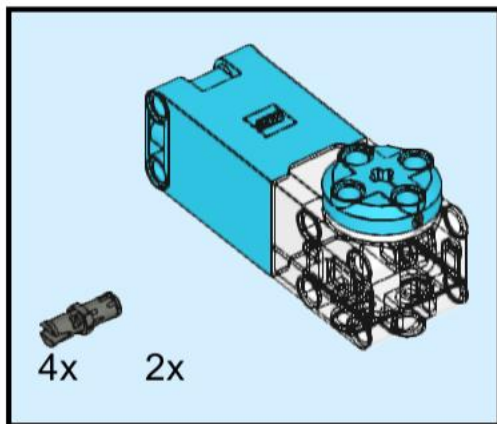


Made by Fran Cajaraville. [www.robottaeducation.com](http://www.robottaeducation.com)

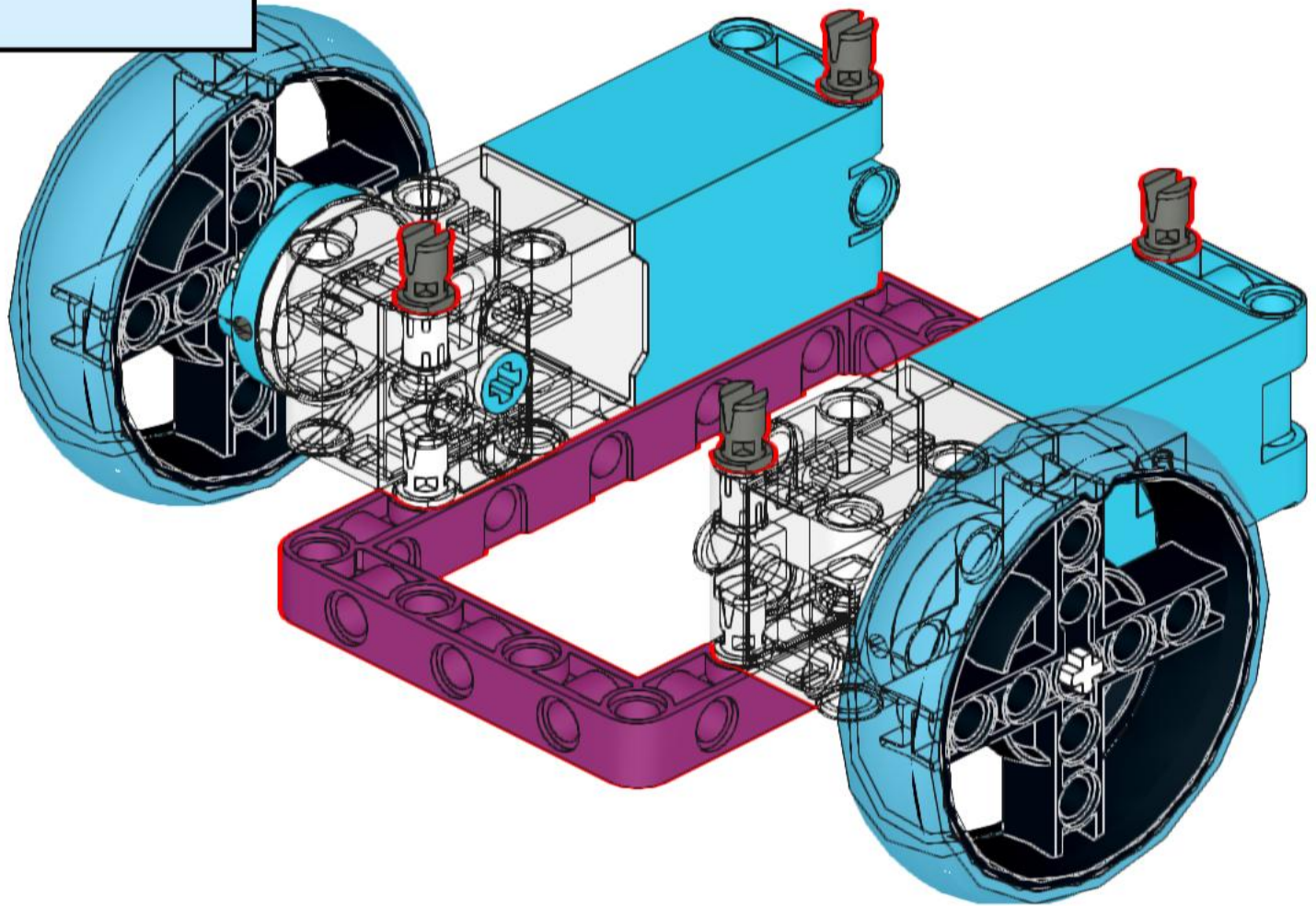
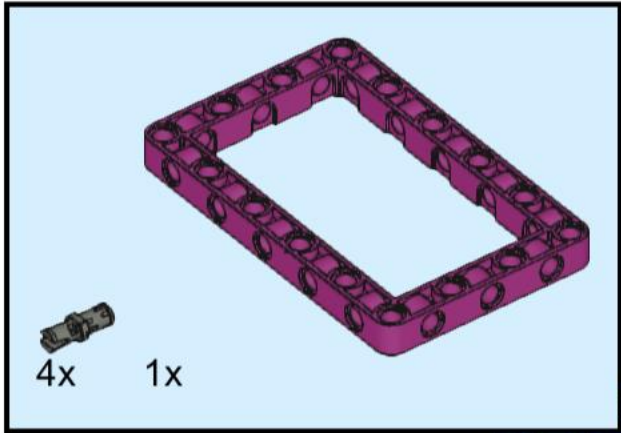
2



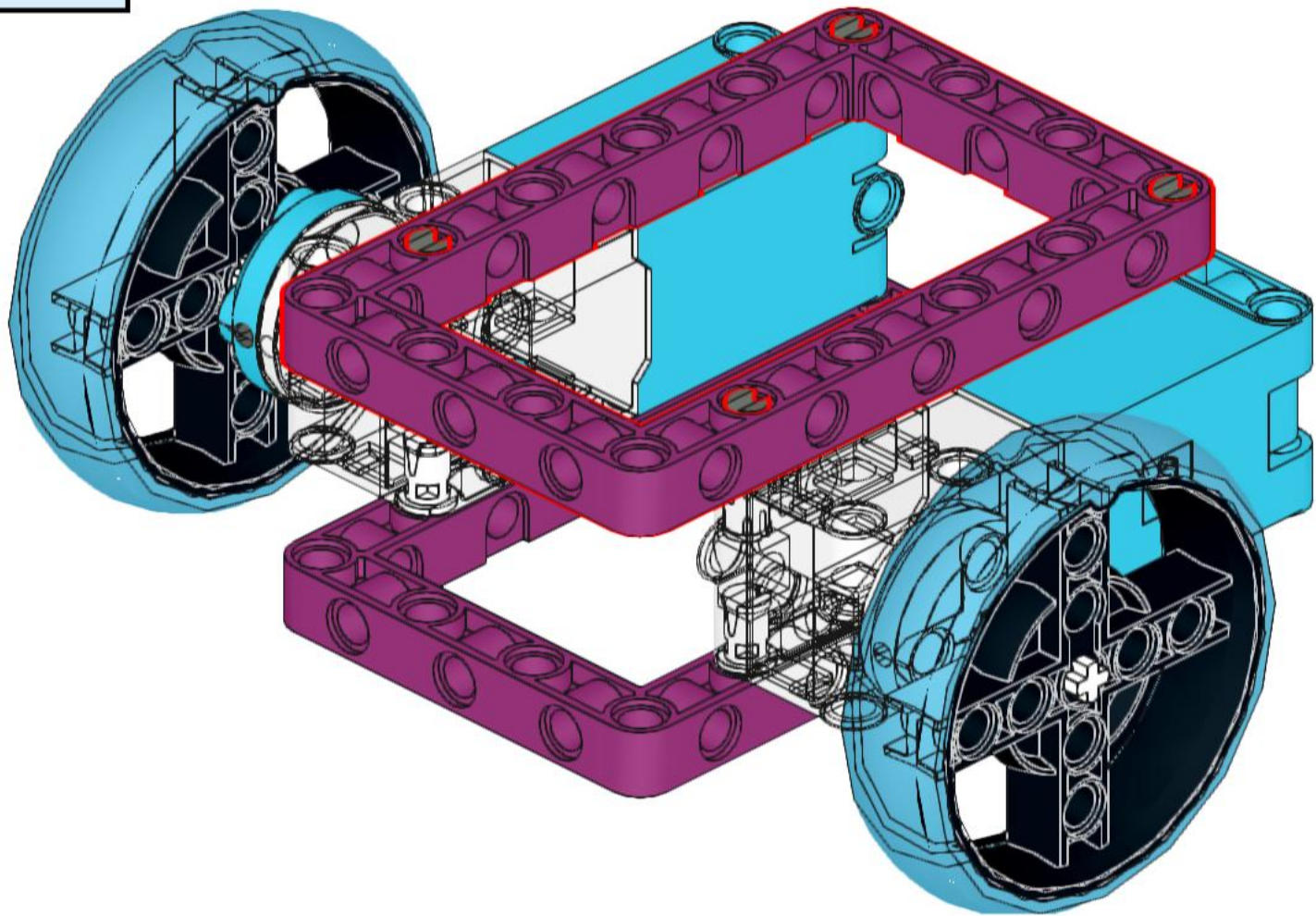
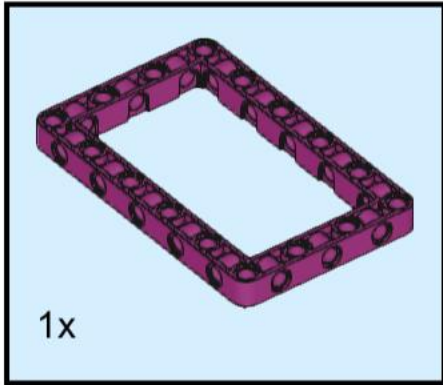
# 3



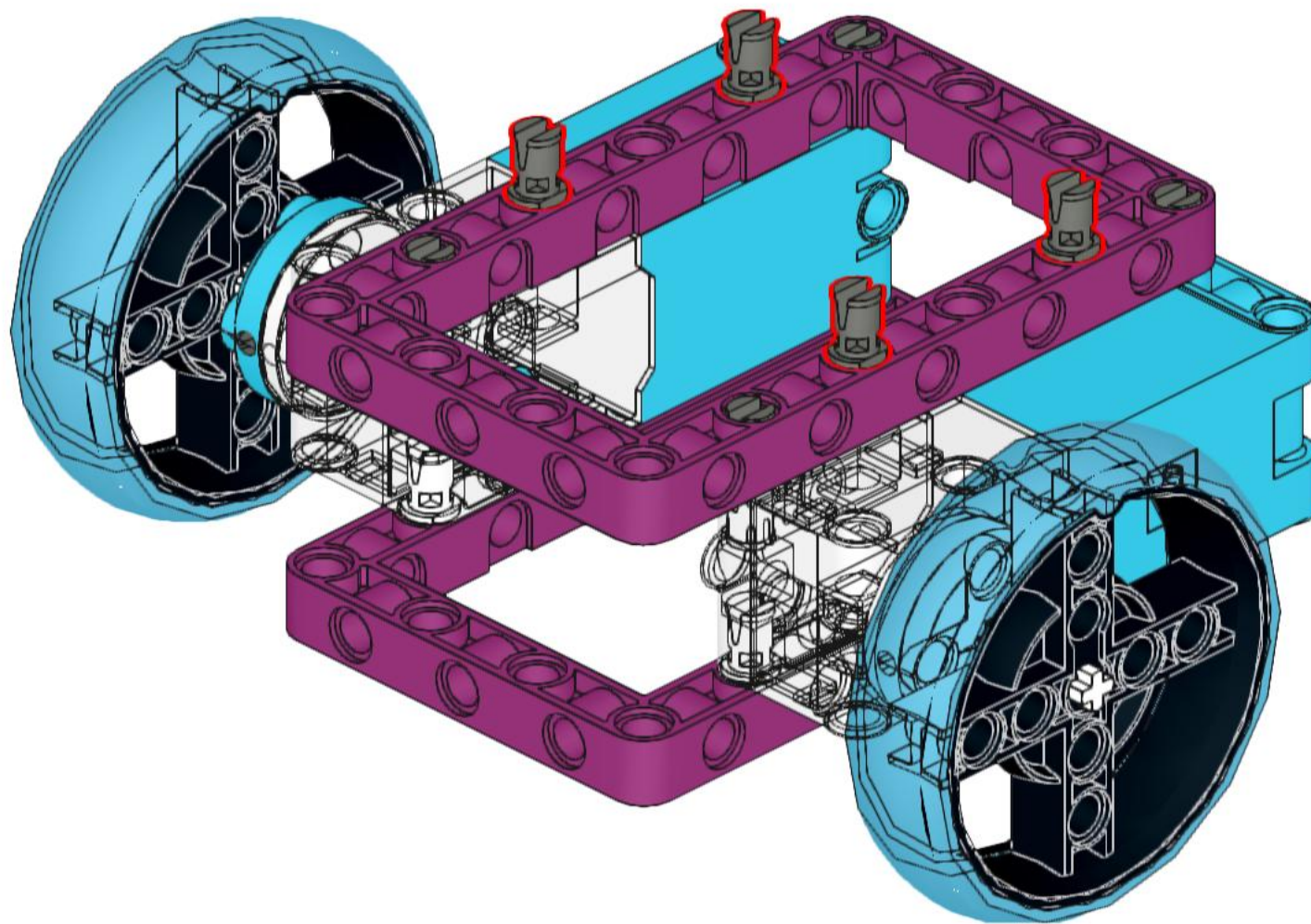
4



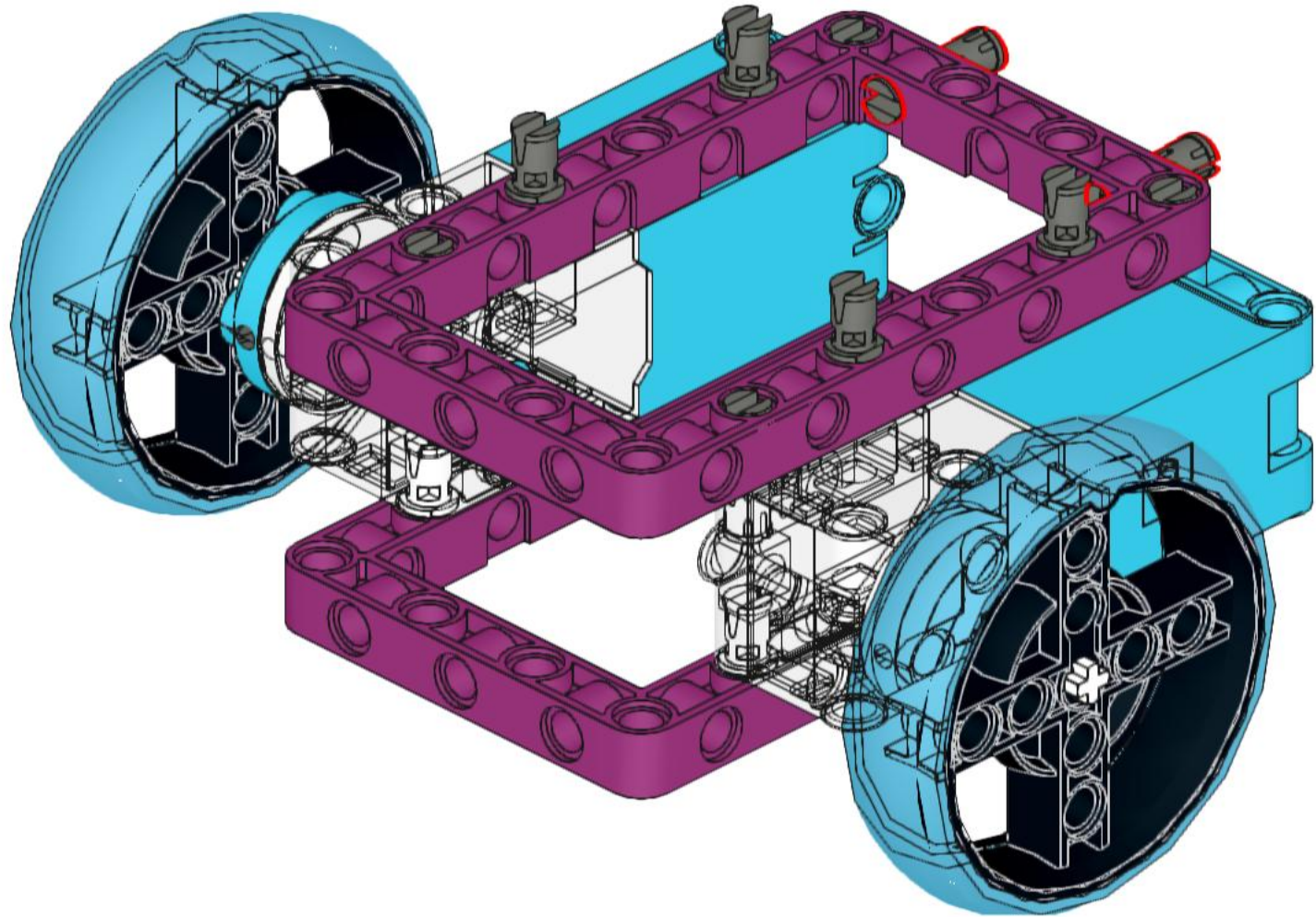
5



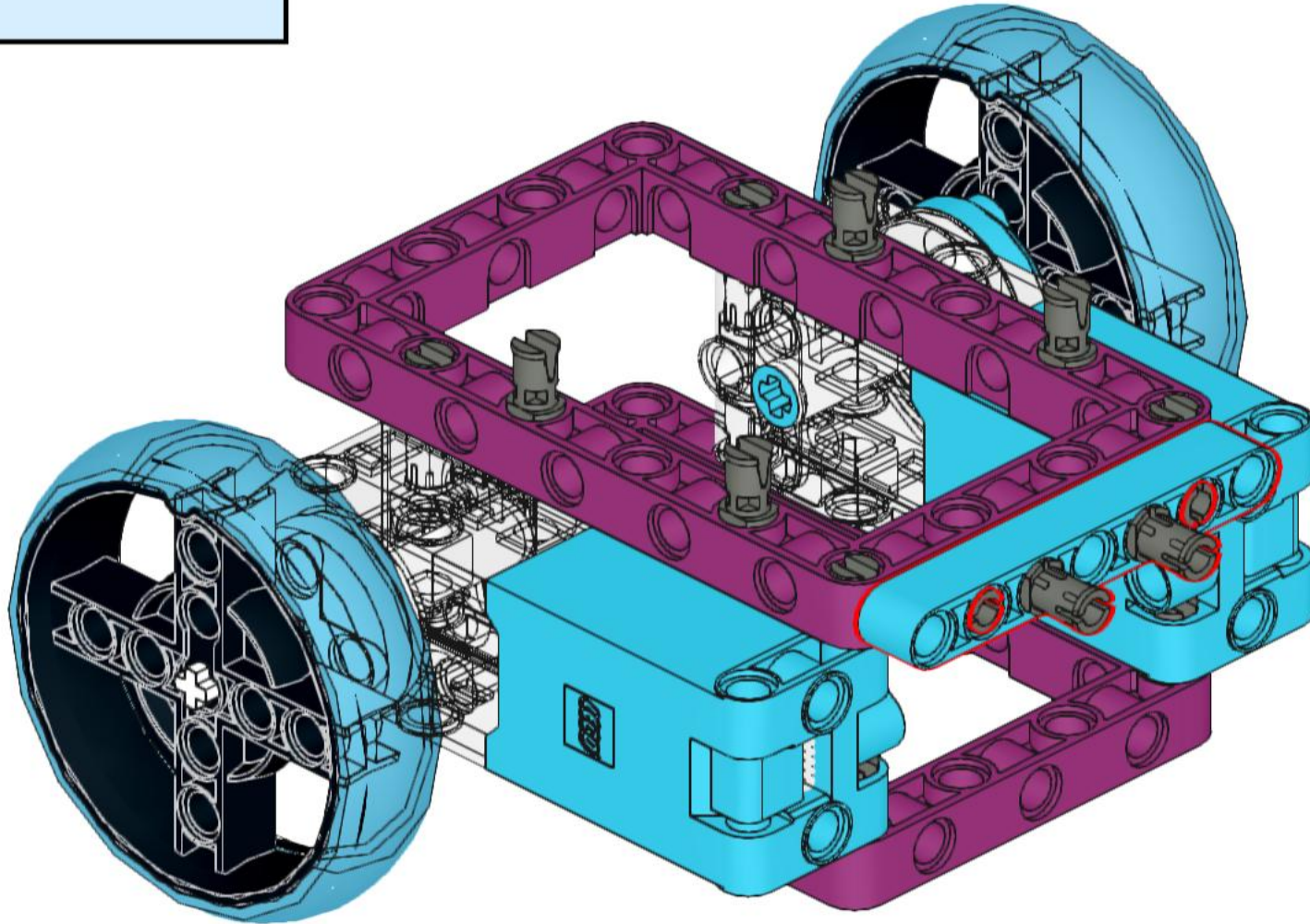
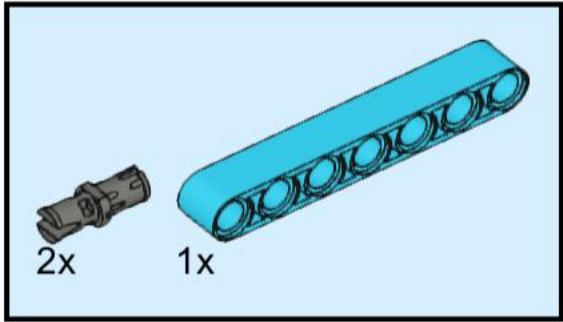
6



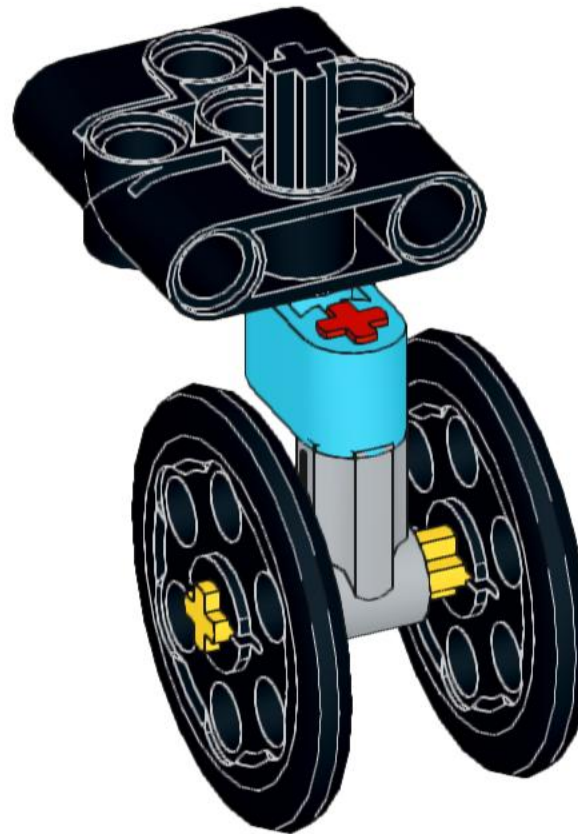
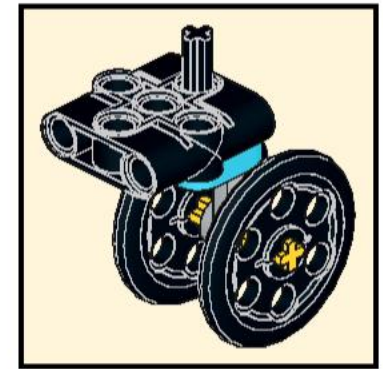
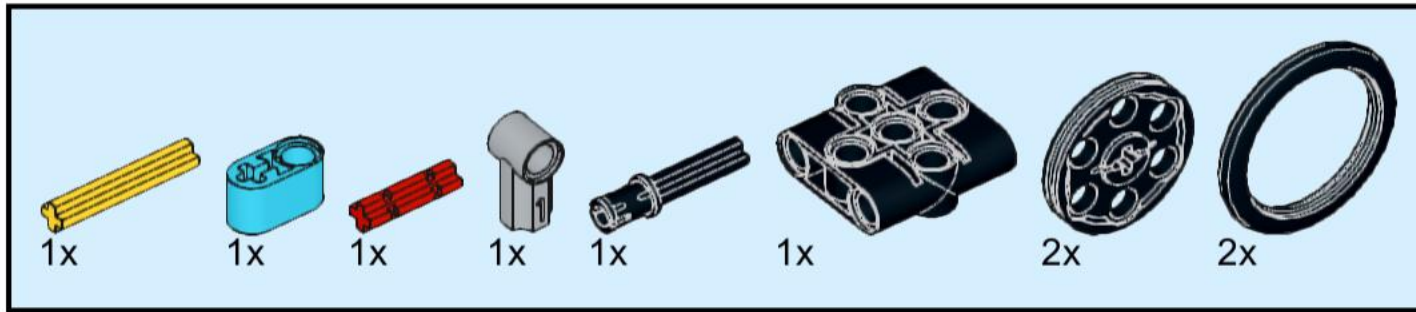
7



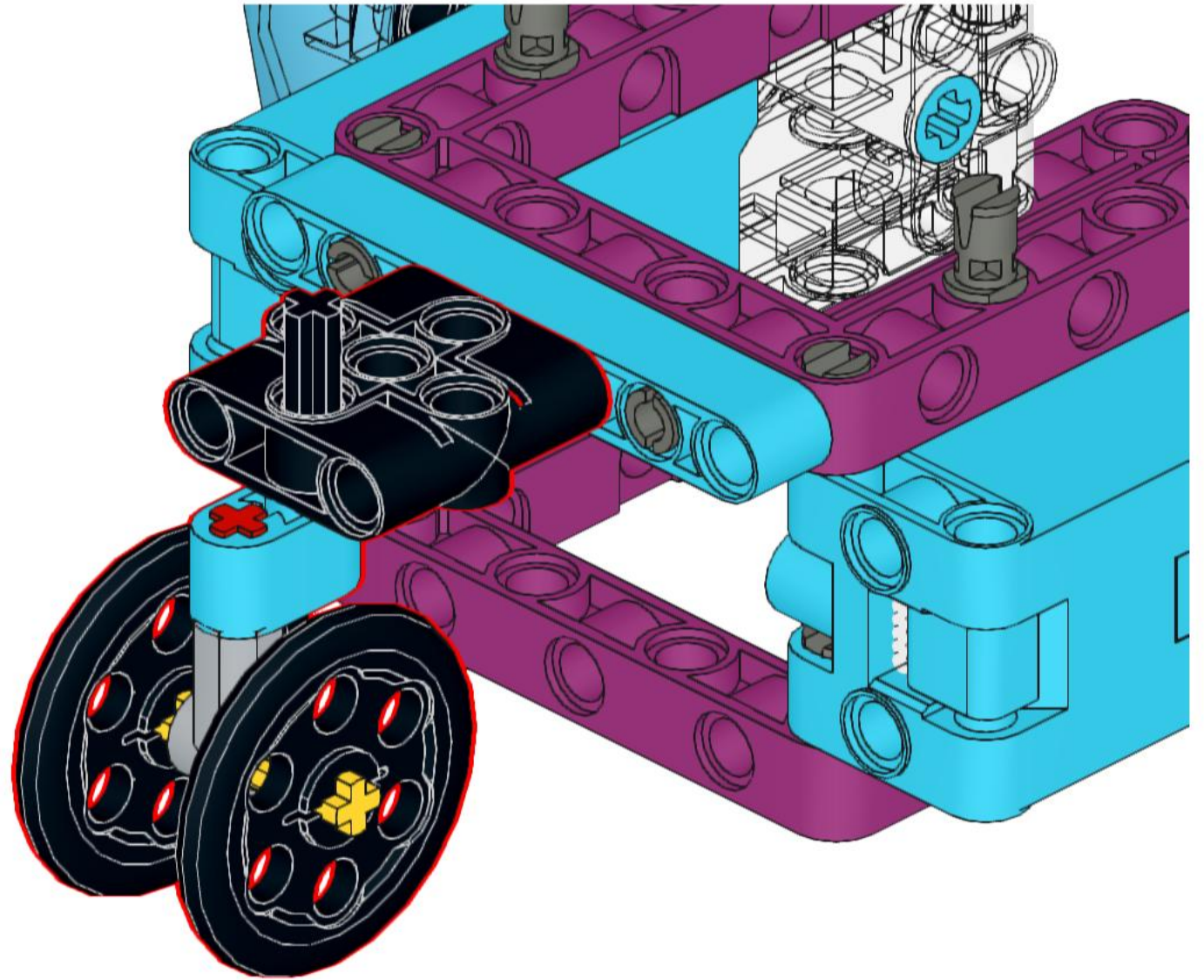
8



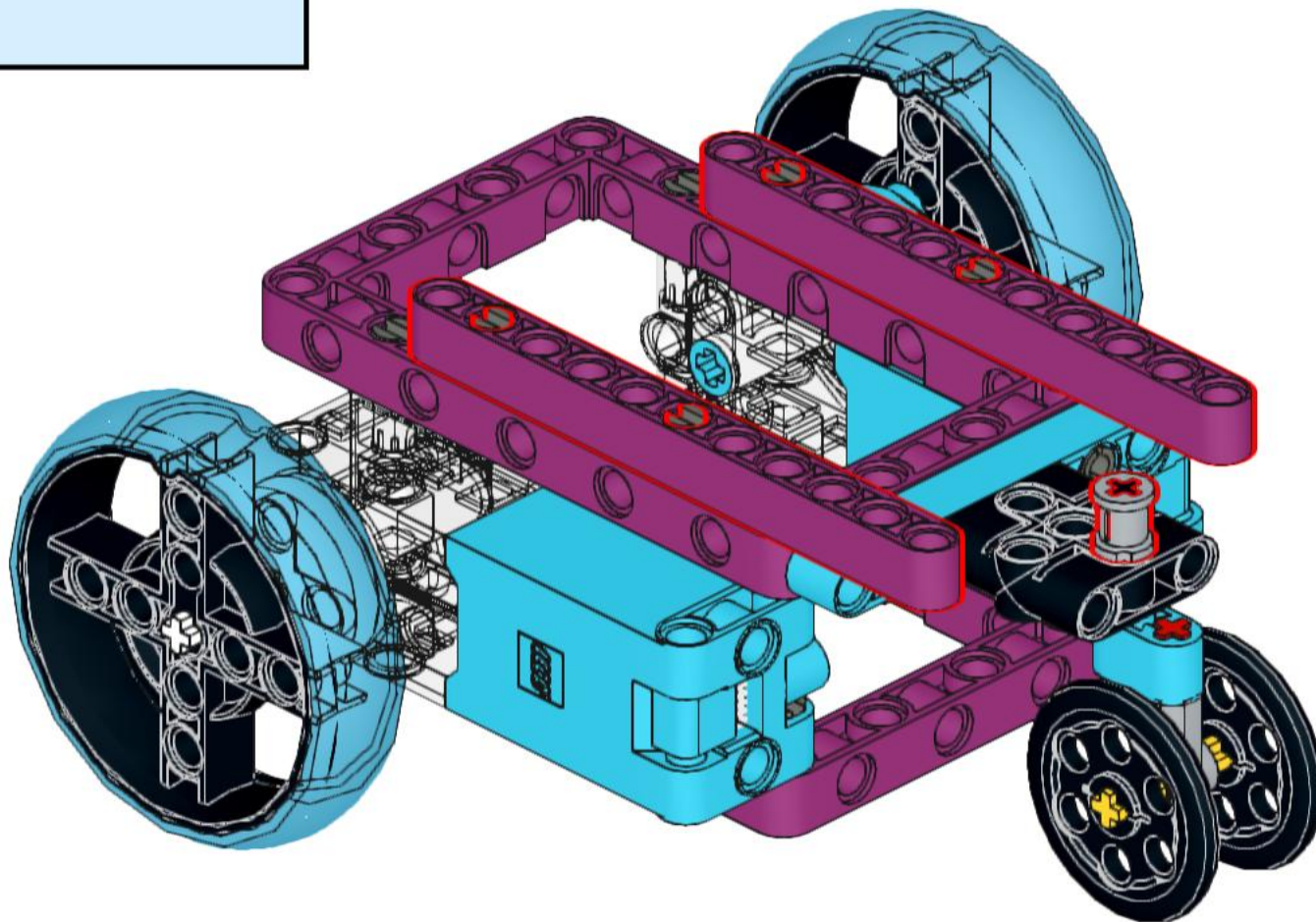
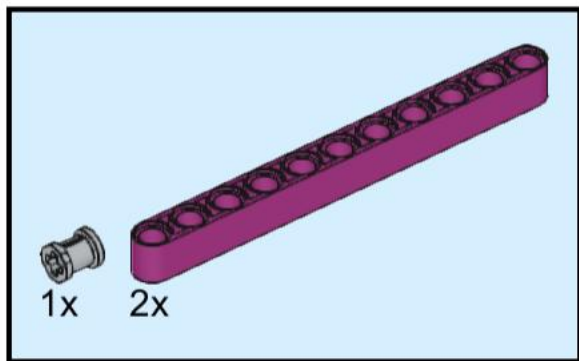
# 9



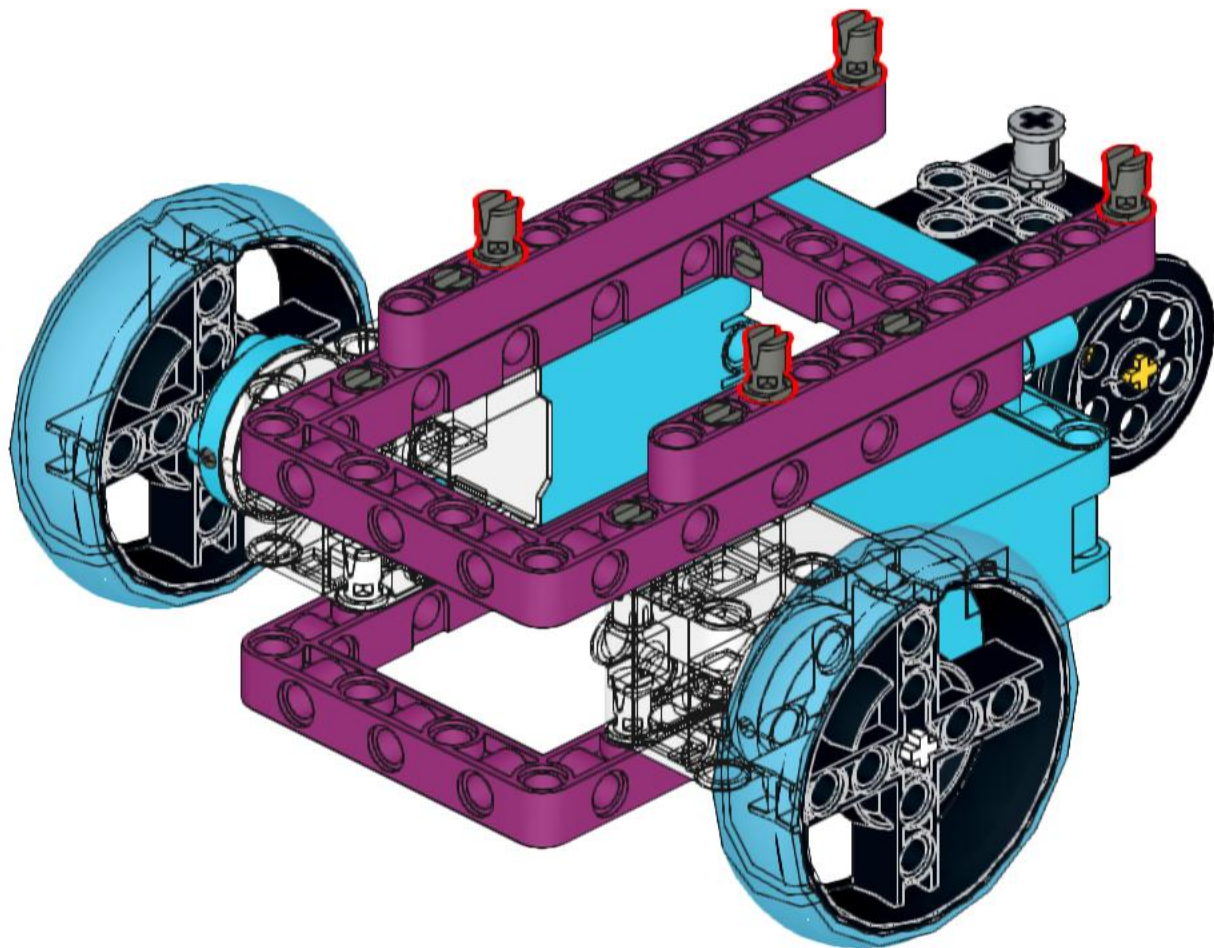
10



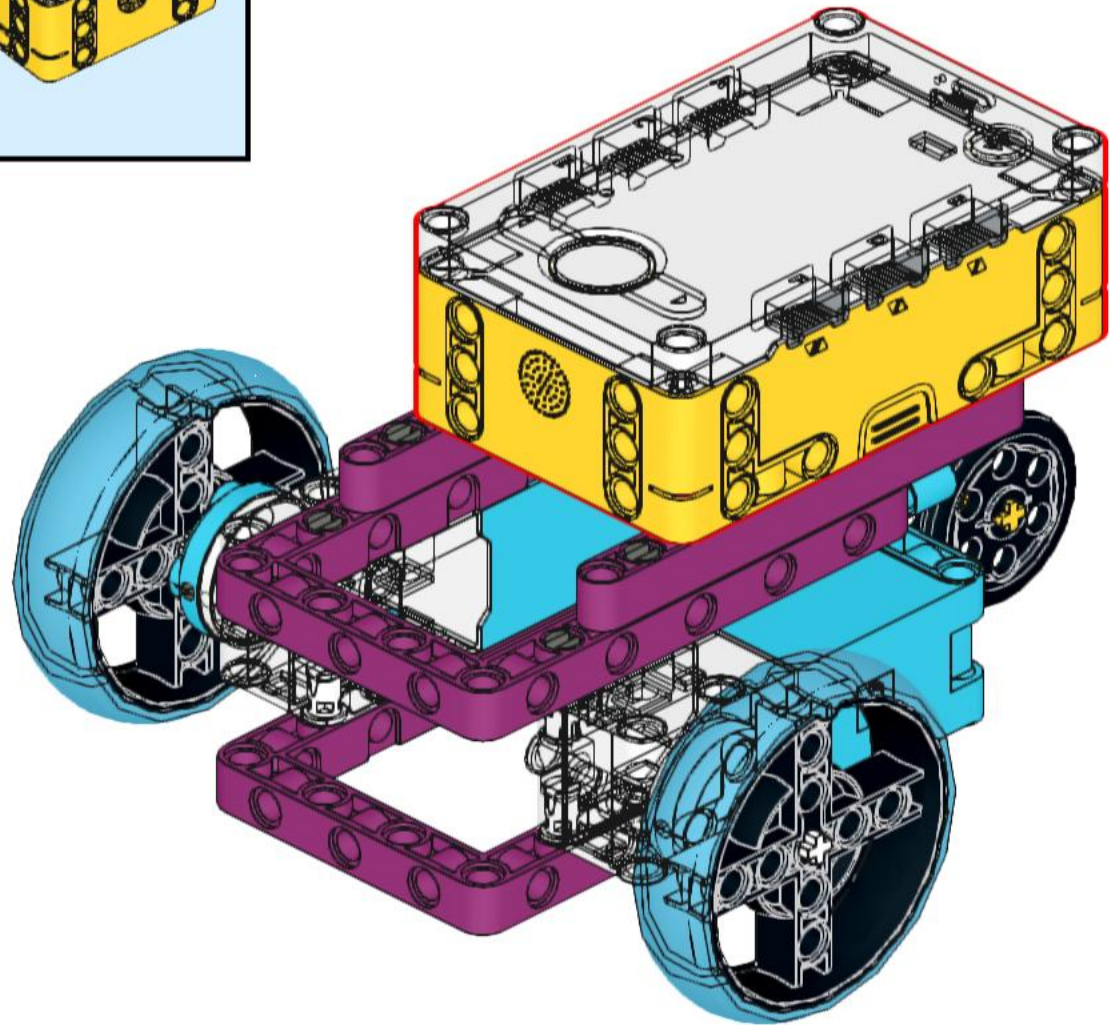
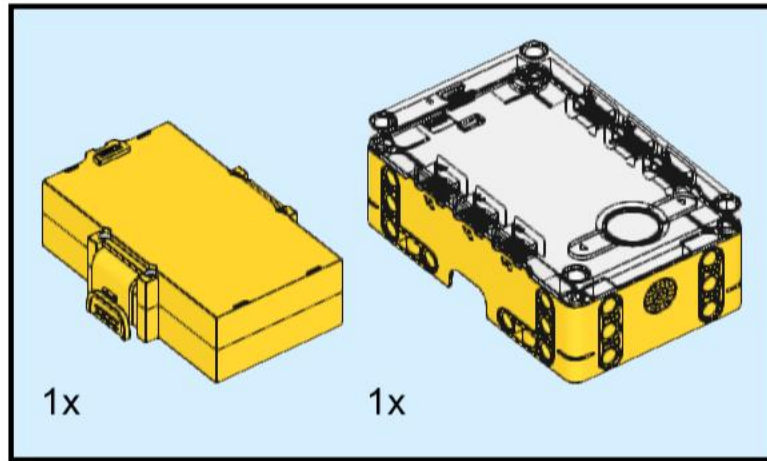
# 11



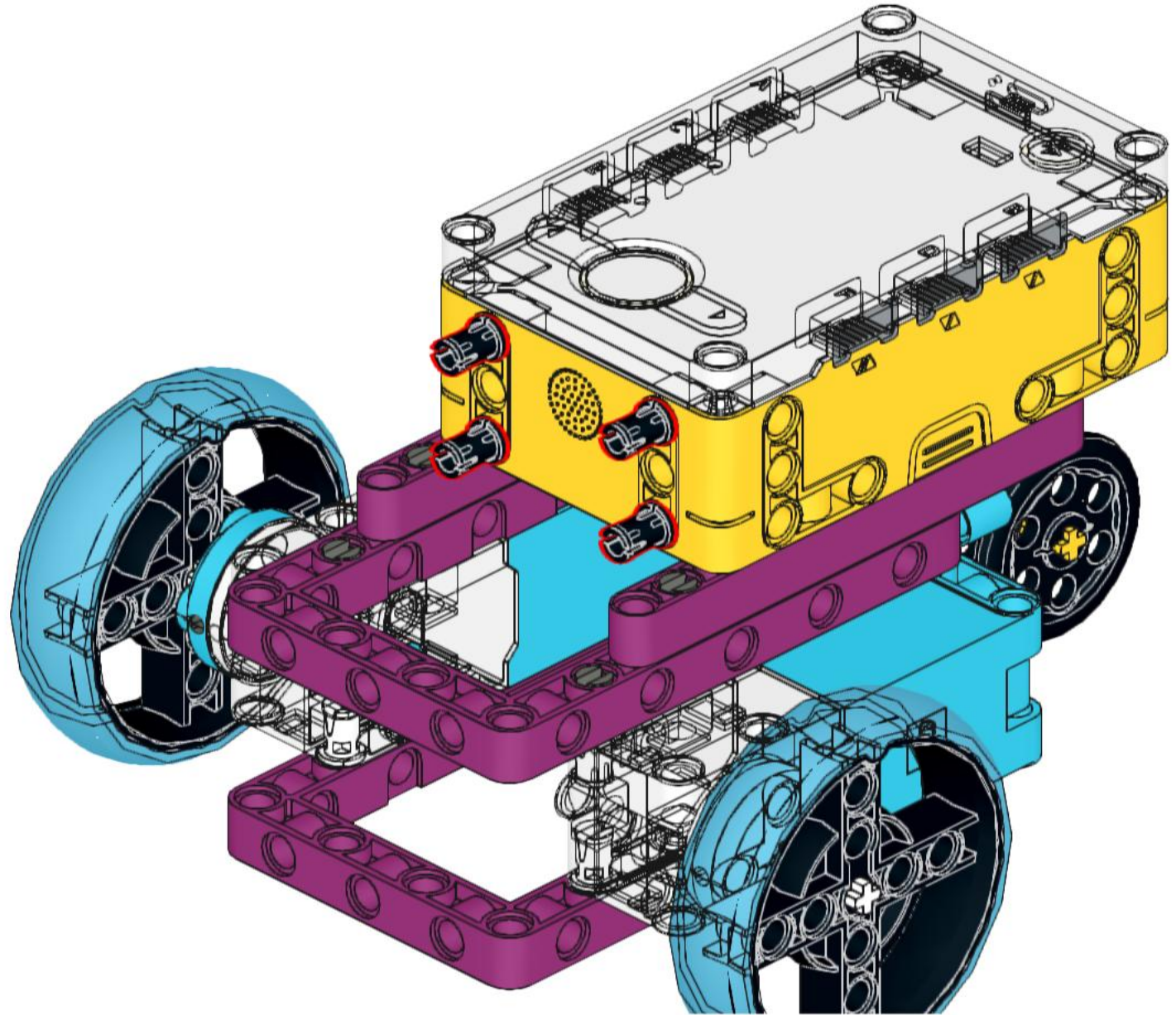
# 12



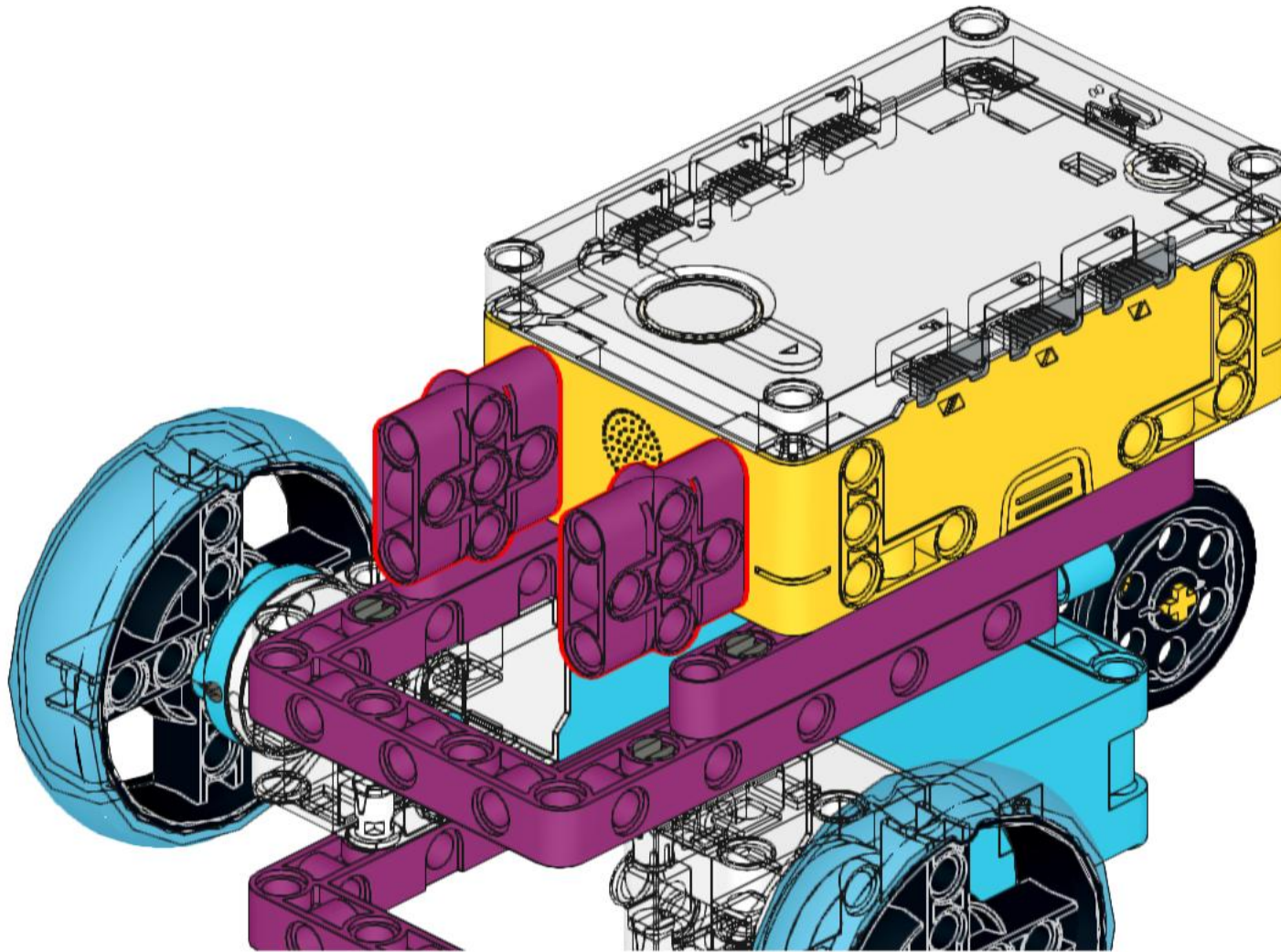
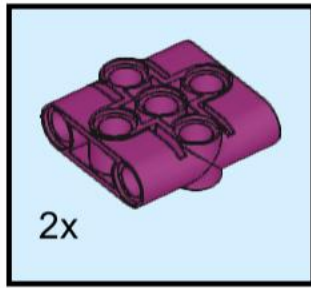
# 13



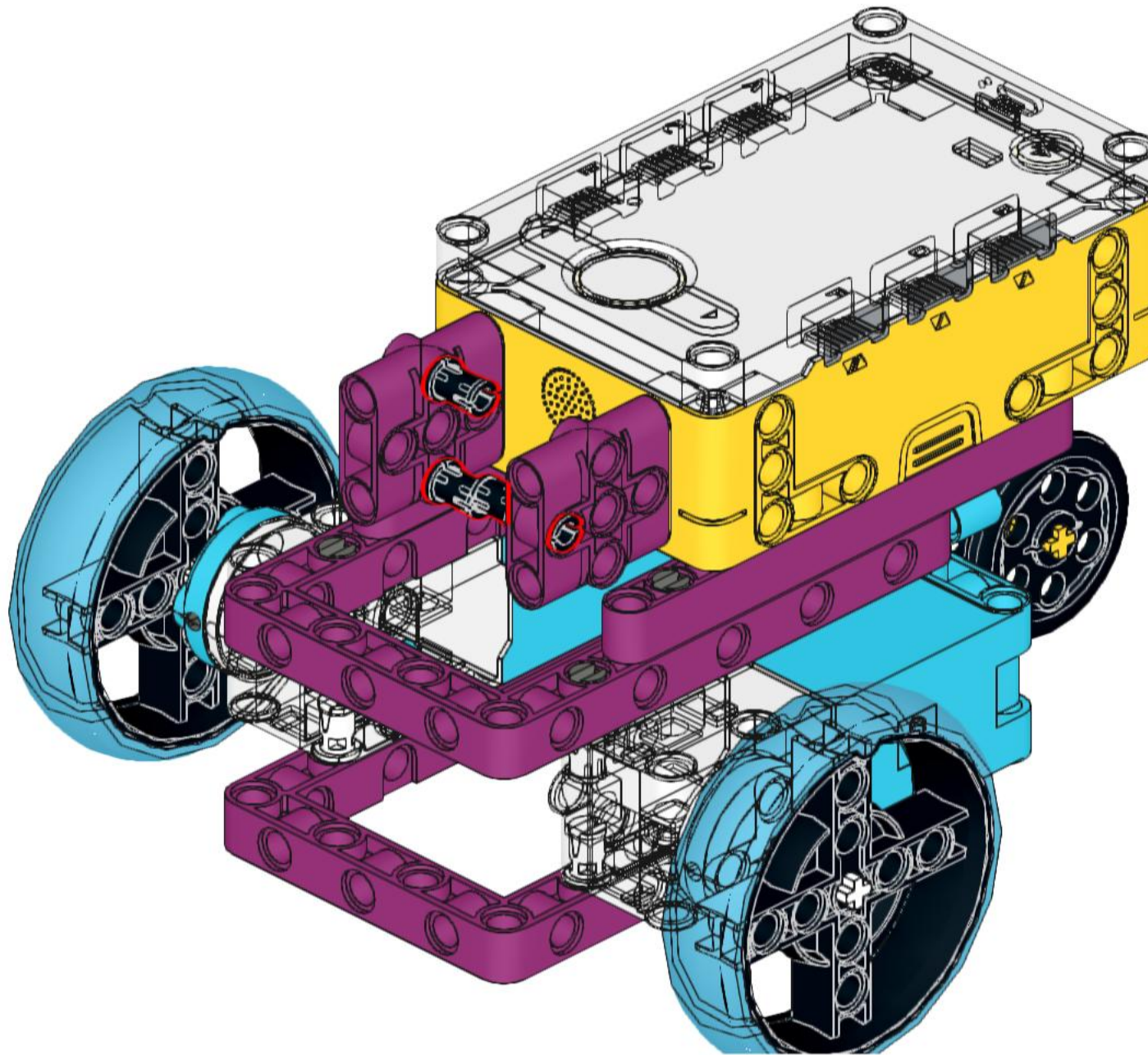
# 14



# 15



# 16





7x  
2780  
Black



2x  
2815  
Black



1x  
3713  
Light Bluish Gray



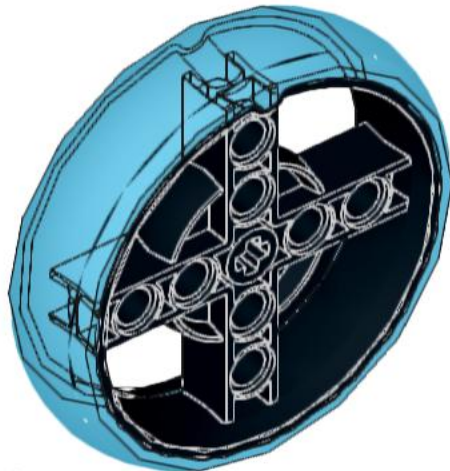
1x  
18651  
Black



1x  
32013  
Light Bluish Gray



2x  
4185  
Black



1x  
55422c01  
Yellow



2x  
4519  
White



2x  
39367pb01  
Black



1x  
32062  
Red

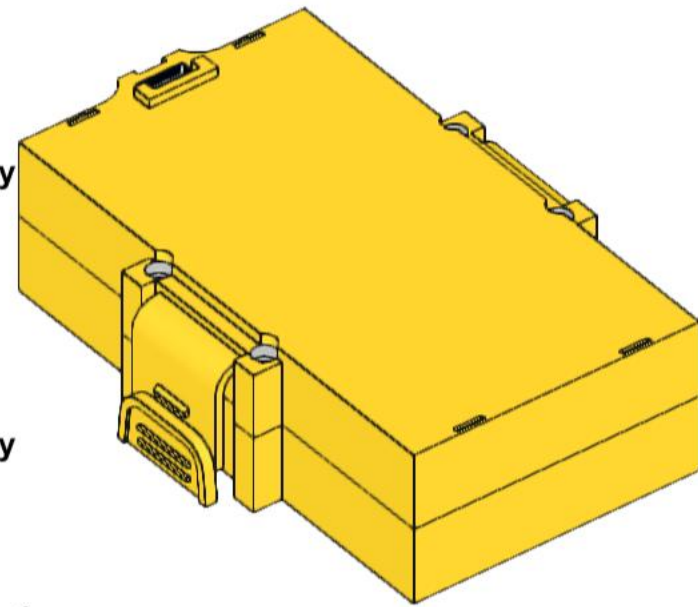
1x  
39793  
Black

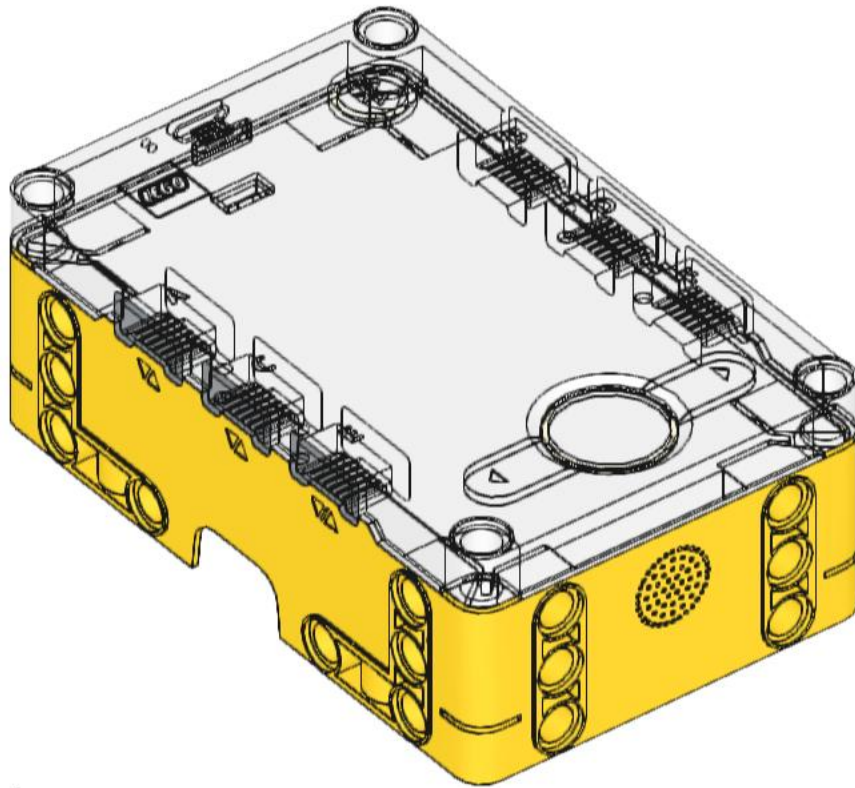


20x  
bb1241  
Dark Bluish Gray



1x  
4519  
Yellow

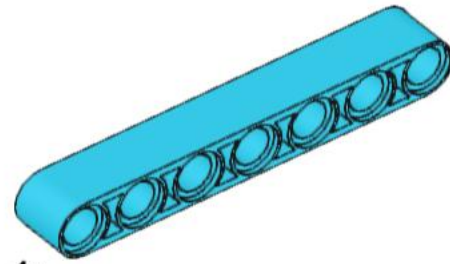




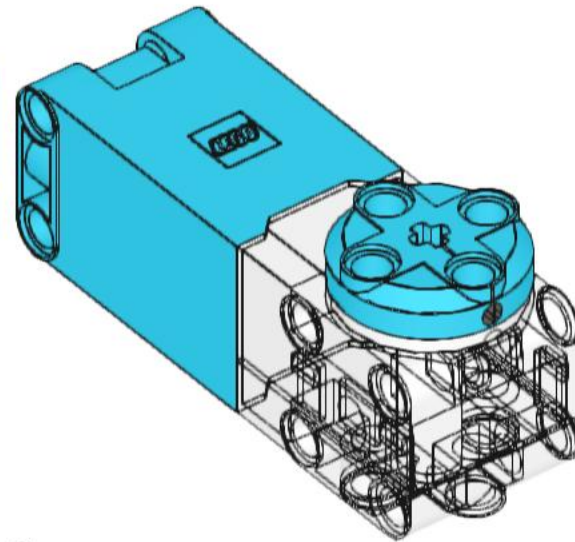
1x  
53444c01  
Yellow



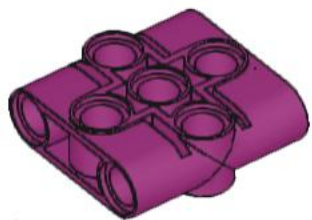
1x  
60483  
Medium Azure



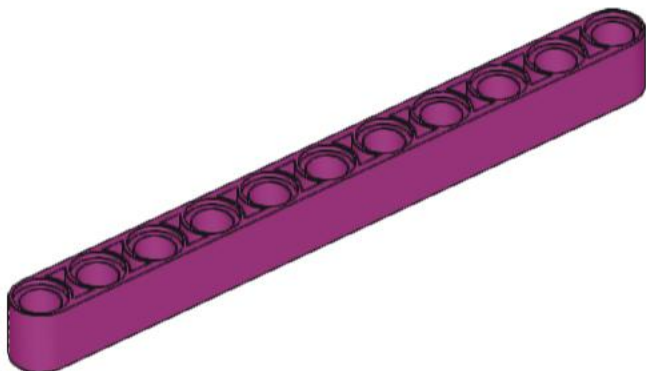
1x  
32524  
Medium Azure



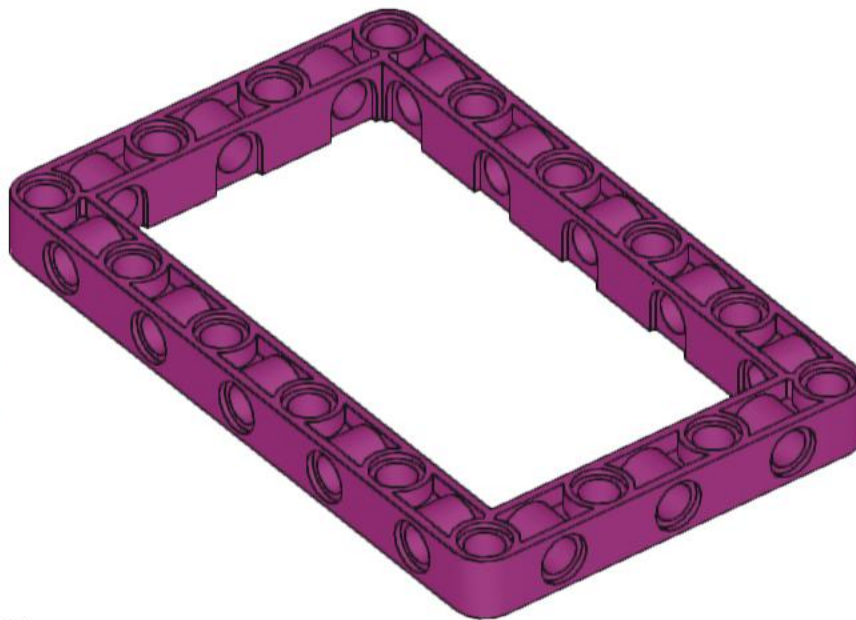
2x  
54696c01  
Medium Azure



2x  
39793  
Magenta



2x  
32525  
Magenta



2x  
39794  
Magenta